

ARDRA MINI 20x11 -en- LINEAR LIGHTING Ø 170

INDOOR LED PROFILE

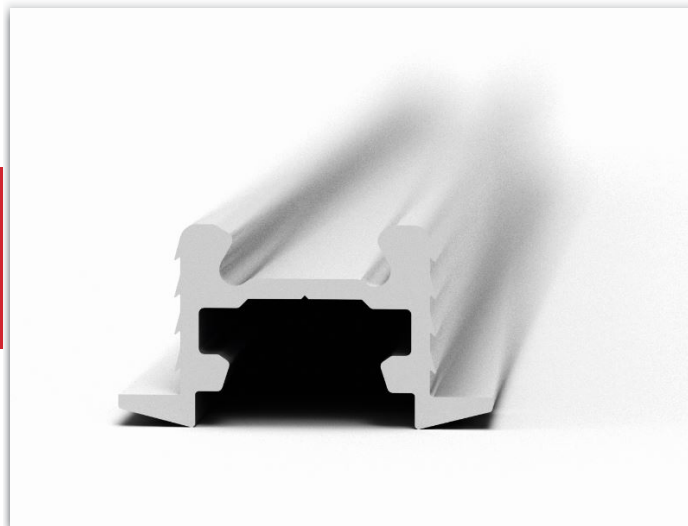
APPLICATIONS:

- Independent LED lamp
- Light for private homes
- Lighting above and below cabinets
- Complementary furnishing item (offices / restaurants / hotels / hospitals / houses)
- Exhibition shelves LED lighting (retail / stores)
- Interior design projects

DESCRIPTION:

Material: Natural anodised aluminum with transparent or opaline diffuser, resistant to UV rays and shocks.

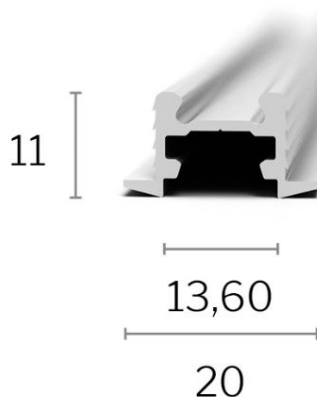
Dimensions: 11 mm in height and 20 mm in width. Minimum length 30cm, maximum 300cm (other sizes on request).



IP40



DATA SHEET



CHARACTERISTICS

LED module: mid-power LEDs on metal core PCB

PCB LED - 11W/mt CRI>90

W/mt	K	lm/mt	LED/mt - Type - V	CRI
11	2700	1440	168 - SMD 2835 - 24V	>90
11	3000	1520	168 - SMD 2835 - 24V	>90
11	4000	1600	168 - SMD 2835 - 24V	>90

ARDRA MINI 20x11 -en- LINEAR LIGHTING Ø 170

PCB LED - 22W/mt CRI>90

W/mt	K	lm/mt	LED/mt - Type - V	CRI
22	2700	2970	168 - SMD 2835 - 24V	>90
22	3000	3124	168 - SMD 2835 - 24V	>90
22	4000	3300	168 - SMD 2835 - 24V	>90

NOTES AND ACCESSORIES

- Magnetic kit for fixing
- Touch switch or sensor pir.
- Controller for RGB management and light dimmer dimming.
- Standard cable length 1500mm, other sizes on request.
- Power supplies not included, to be ordered separately.

Last update: 10 May 2021