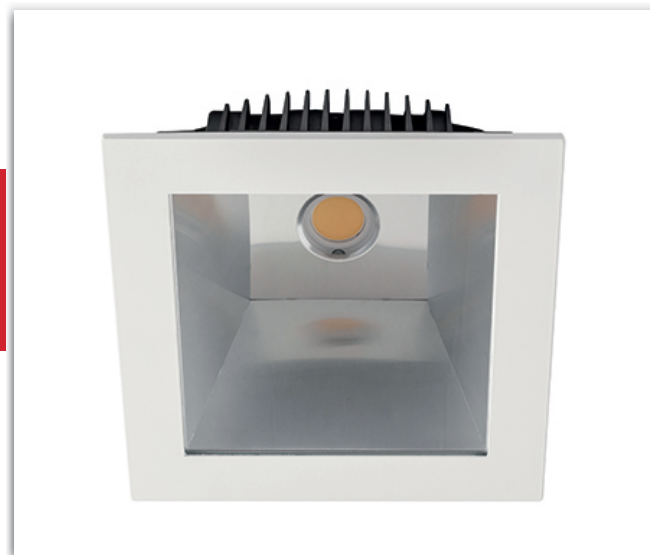
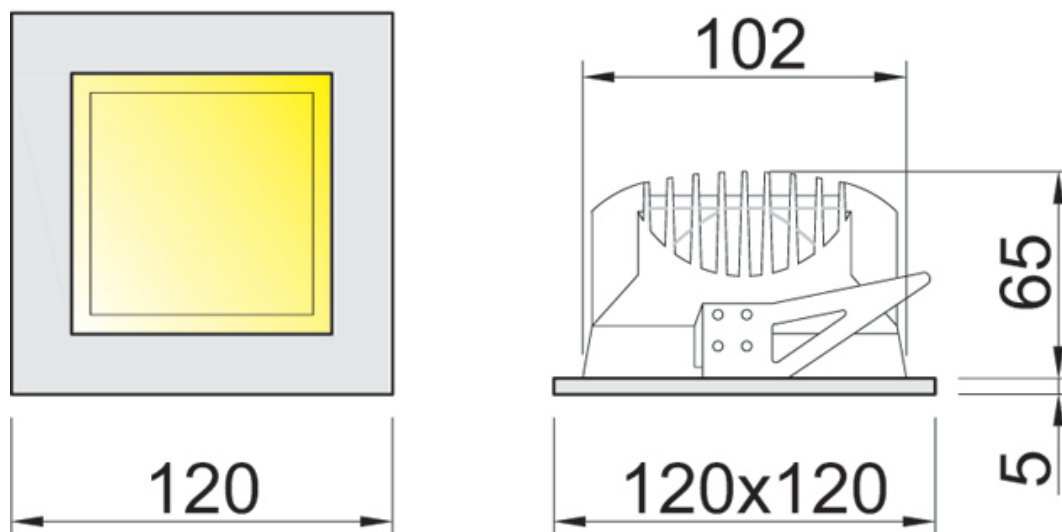


GIADA Q MINI -en. RECESSED LUMINAIRES Ø O58

Fixed Downlight, dimensions 120x120mm. Die-cast aluminium body, safety glass, metallized aluminum reflector. Ring with white, black or gray finish. Beam 50 °. Cob leds with cri > 90 designed for the fashion market and for art exhibitions are available too. Power from 12w up to 25w. Opal diffuser available on request.



DATA SHEET



CHARACTERISTICS

LED modules: Latest generation COB Led. Other configurations available on request.

CRI 98 A+ ART

W	K	lm	mA	CRI
12	3000	1305	350	98
17	3000	1820	500	98
25	3000	2475	700	98

GIADA Q MINI -en. RECESSED LUMINAIRES O O58

CRI >90 A+ FASHION

W	K	lm	mA	CRI
12	3250	1380	350	>90
17	3250	1925	500	>90
25	3250	2620	700	>90

CRI >90 A+

W	K	lm	mA	CRI
12	2700	1465	350	>90
12	3000	1500	350	>90
12	4000	1605	350	>90
17	2700	2045	500	>90
17	3000	2095	500	>90
17	4000	2240	500	>90
25	2700	2775	700	>90
25	3000	2845	700	>90
25	4000	3050	700	>90

CRI >80 A++

W	K	lm	mA	CRI
12	2700	1730	350	>80
12	3000	1775	350	>80
12	4000	1845	350	>80
17	2700	2410	500	>80
17	3000	2470	500	>80
17	4000	2575	500	>80
25	2700	3275	700	>80
25	3000	3360	700	>80
25	4000	3500	700	>80

GIADA Q MINI -en. RECESSED LUMINAIRES O O58

NOTES AND ACCESSORIES

Opal diffuser

Emergency kit SA: 1 hour @350mA.

50° beam.

Availability of standard, dimmable, Dali dimmable and CASAMBI Dali driver.

Luminaires not suitable for covering with thermally insulating material.

Last update: 18 October 2018