



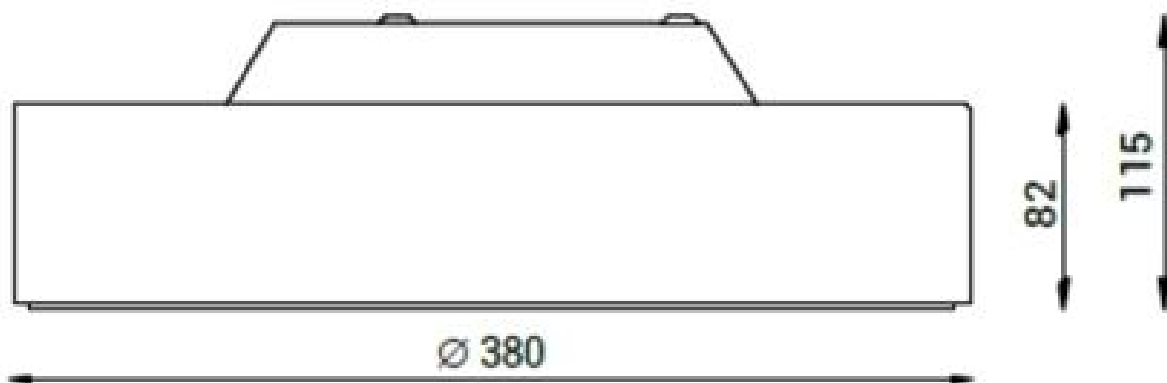
DISK 380 REC.CEILING -en- RECESSED LUMINAIRES Ø 128

DISK 380 REC.CEILING is the recessed version of the DISK family, designed for fixing to plasterboard ceilings. Fastening through suitable set squares. Painted aluminum body and polycarbonate opal diffuser.

Diameter 380mm. 120 ° beam, white finish and standard driver included. Power 30w and color temperature 3000k or 4000k.



DATA SHEET



CHARACTERISTICS

LED modules: Latest generation COB Led. Other configurations available on request.

CRI >80 A+

W	K	lm	CRI
30	3000	2690	>80
30	4000	2870	>80

NOTES AND ACCESSORIES

120° beam.
Hole diameter 380mm
Standard driver included, Dali dimmable driver and CASAMBI Dali driver on request.

Last update: 31 October 2018