

## ORION 56-296 -en- LIGHTING SYSTEMS Ø O28



### INDEPENDENT FLOOD LIGHT FOR TRACK SYSTEMS

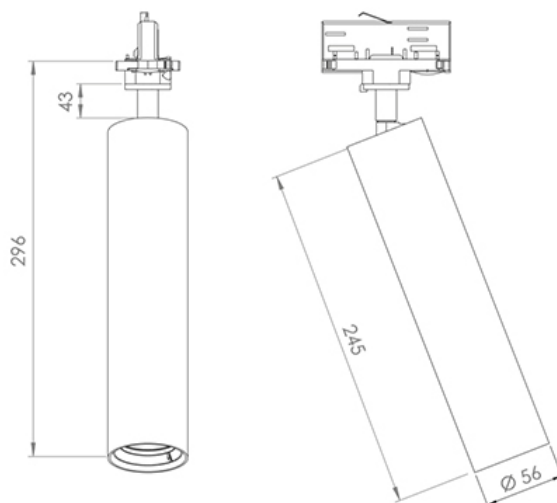
Innovative product that combines design aspects and high-level performances. The innovation of this product consists of the driver concealed in the track, making the classic driver box superfluous. Cob led with cri > 80 of 12w, fluxes from 1580lm 2700k up to 1745lm 4000k. Cob leds with cri > 90, designed for the fashion market or for art exhibitions, are available too.

Orion has a die-cast aluminium body, polycarbonate lens or aluminium reflector 60 ° diffuser, 3 circuits universal adapter. As for the accessories there are: opal diffuser, honeycomb grid and a plastic base for wall or ceiling mounting, available also in the recessed version.

Device size: d.56x245mm, maximum encumbrance 296mm



### DATA SHEET



### CHARACTERISTICS

LED modules: Latest generation COB Led. Other configurations available on request.

#### CRI >90 A+ ART

W	K	lm	mA	CRI
12	3000	1310	350	98

#### CRI >90 A+ FASHION

W	K	lm	mA	CRI
12	3250	1380	350	>90

## ORION 56-296 -en- LIGHTING SYSTEMS O O28

### CRI >90 A+

W	K	lm	mA	CRI
12	2700	1220	350	>90
12	3000	1280	350	>90
12	4000	1350	350	>90

### CRI >80 A++

W	K	lm	mA	CRI
12	2700	1420	350	>80
12	3000	1500	350	>80
12	4000	1570	350	>80

### NOTES AND ACCESSORIES

Opal diffuser.  
Honeycomb grid.  
Plastic base for wall or ceiling mounting, also in the recessed version.  
Beam: 60° reflector or 24°, 38° lens.  
Standard driver included.

Last update: 16 October 2018