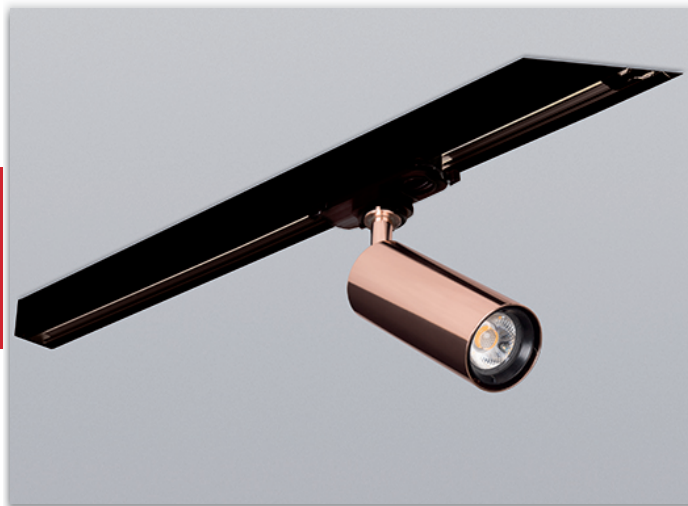


## ORION 55-135 -en- LIGHTING SYSTEMS O O26



### INDEPENDENT FLOOD LIGHT FOR TRACK SYSTEMS

Innovative product that combines design aspects and high-level performances.

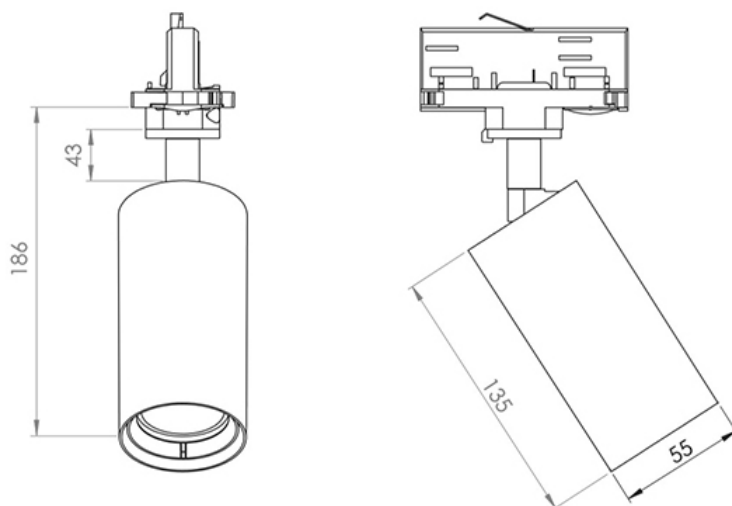
The innovation of the product consists in a 230v operation. Cob led with cri > 80 of 8w, flux of 800lm.

Orion has a die-cast aluminium body, polycarbonate lens or aluminium reflector 60 ° diffuser, 3 circuits universal adapter. As for the accessories there are: opal diffuser, honeycomb grid, emergency kit 1h SA and a plastic base for wall or ceiling mounting.

Device size: d.55x135mm, maximum encumbrance 186mm



### DATA SHEET



### CHARACTERISTICS

LED modules: Latest generation COB Led. Other configurations available on request.

CRI >80 A++

W	K	lm	V	CRI
8	2700	720	230	>80
8	3000	720	230	>80
8	4000	720	230	>80

# ORION 55-135 -en- LIGHTING SYSTEMS O O26

## NOTES AND ACCESSORIES

---

Opal diffuser.  
Honeycomb grid.  
Emergency kit SA: 1 hour @350mA.  
Plastic base for wall or ceiling mounting, also in the recessed version.  
Beam: 60° reflector or 24°, 38° lens.

Last update: 16 October 2018