

MARTE 155x85 -en- RECESSED LUMINAIRES ϕ ϕ 42

LINEAR DOWNLIGHT

Marte 155x85 represents a new line of innovative and performing products.

Aluminum die-cast housing and white front ring, with the possibility of choosing other finishes.

Generous heat sink with a black finish.

Led 20w, beam angle 20/30/50 °.

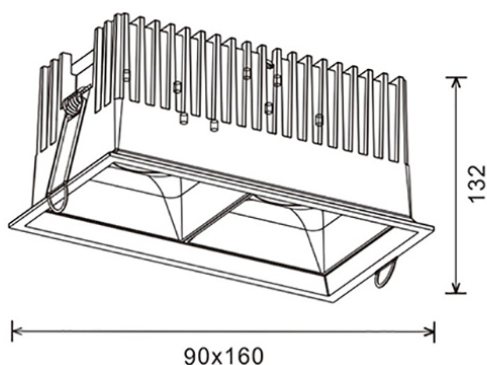
Polycarbonate reflector.

Driver included.

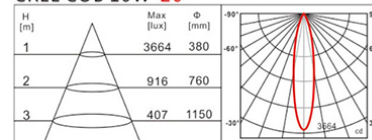
It is possible to customize the product as necessary.



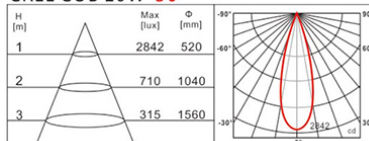
DATA SHEET



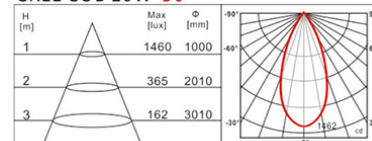
CREE COB 10W -20°



CREE COB 10W -30°



CREE COB 10W -50°



CHARACTERISTICS

LED modules: Latest generation COB Led. Other configurations available on request.

CRI >80

W	K	lm	CRI
20	3000	1600	>80
20	4000	1700	>80

NOTES AND ACCESSORIES

- Beam angle: 20°, 30° or 50°
- Driver included

Last update: 16 October 2018