

MARTE 143x40 -en- RECESSED LUMINAIRES ϕ O36

LINEAR DOWNLIGHT

Marte 143x40 represents a new line of innovative and performing products.

Aluminum die-cast housing and white front ring, with the possibility of choosing other finishes.

Generous heat sink with a black finish.

Led 8w, beam angle 15/30/45 °.

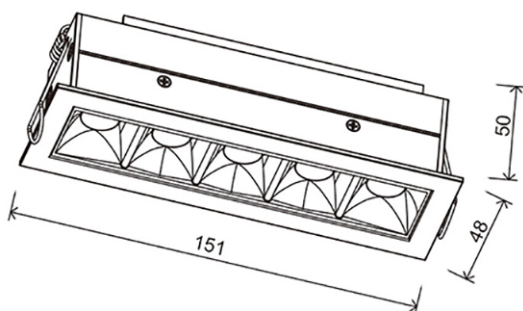
Polycarbonate reflector.

Driver included.

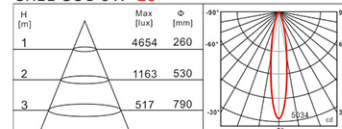
It is possible to customize the product as necessary.



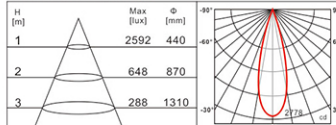
DATA SHEET



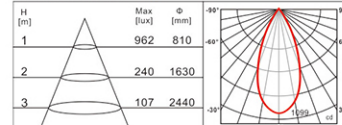
CREE COB 8W-15°



CREE COB 8W-24°



CREE COB 8W-45°



CHARACTERISTICS

LED modules: Latest generation COB Led. Other configurations available on request.

CRI >80

W	K	lm	CRI
8	3000	500	>80

NOTES AND ACCESSORIES

- Beam angle: 15°, 30° or 45°
- Driver included

Last update: 16 October 2018