

MARTE 125x125 -en- RECESSED LUMINAIRES ϕ ϕ 43

LINEAR DOWNLIGHT

Marte 125x125 represents a new line of innovative and performing products.

Aluminum die-cast housing and white front ring, with the possibility of choosing other finishes.

Generous heat sink with a black finish.

Led 28w, beam angle 20/30/45 °.

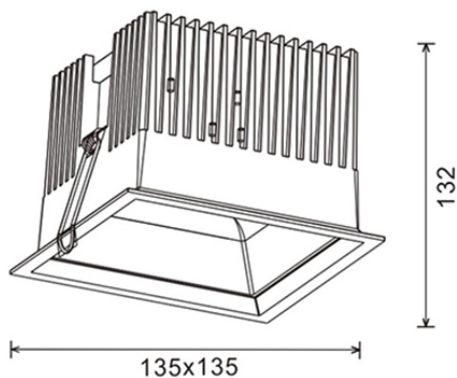
Polycarbonate reflector.

Driver included.

It is possible to customize the product as necessary.

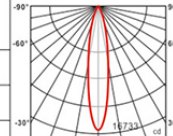


DATA SHEET



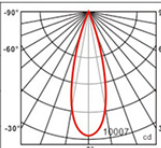
CREE COB 28W-20°

H [m]	Max [lux]	ϕ [mm]
1	16733	320
2	4183	630
3	1859	950



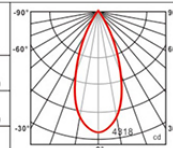
CREE COB 28W-30°

H [m]	Max [lux]	ϕ [mm]
1	10007	440
2	2501	880
3	1111	1330



CREE COB 28W-45°

H [m]	Max [lux]	ϕ [mm]
1	4318	850
2	1079	1700
3	479	2550



CHARACTERISTICS

LED modules: Latest generation COB Led. Other configurations available on request.

CRI >80

W	K	lm	CRI
28	3000	2200	>80
28	4000	2300	>80

NOTES AND ACCESSORIES

- Beam angle: 20°, 30° or 45 °
- Driver included

Last update: 16 October 2018