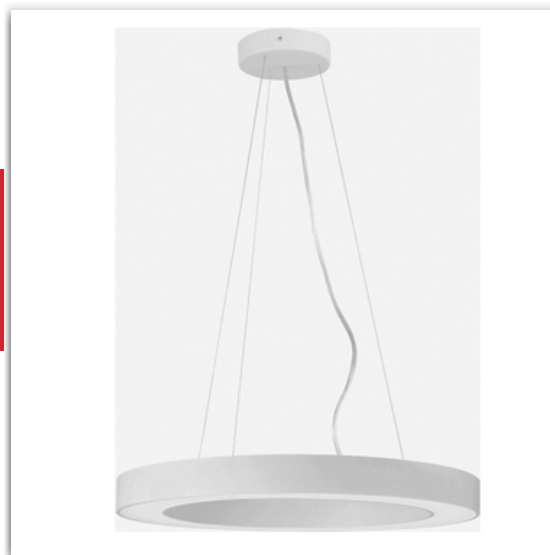


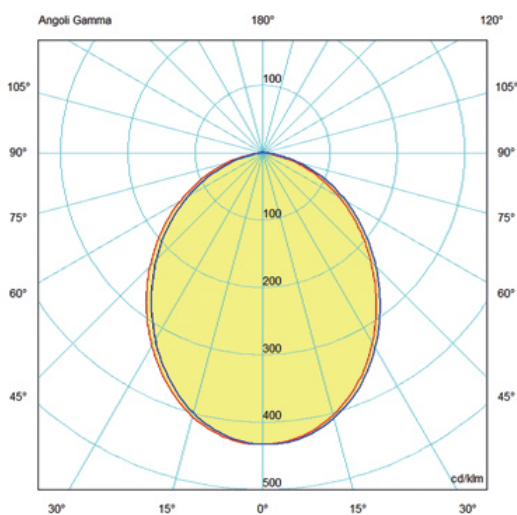
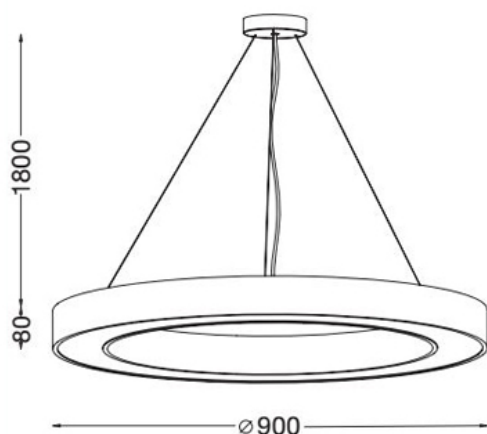
## SOVAR 900 -en- SUSPENSIONS o O95

Suspended luminair. Painted aluminium body and polycarbonate opal diffuser.

120° beam. 900mm diameter. White finish. 55w led. Remote Dali dimmable driver on request.



### DATA SHEET



### CHARACTERISTICS

LED module: mid-power LEDs on metal core PCB

CRI >80 A/A+

W	K	lm	CRI
55	3000	5510	>80
55	4000	6000	>80

### NOTES AND ACCESSORIES

120° beam.  
Standard driver included, remote Dali dimmable driver on request.

Last update: 25 September 2018